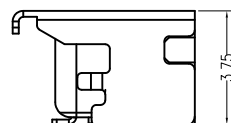
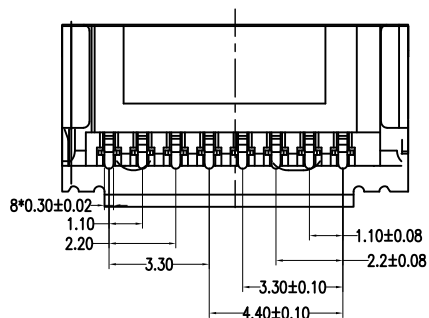


Pin No.	NAME
1	DAT2
2	CD/DAT3
3	CMD
4	VDD
5	CLK
6	VSS
7	DAT0
8	DAT1



-NOTES-

1.Electrical:

Contact resistance:50m ohms max.
Dielectric withstanding voltage:500V RMS.
Insulation resistance:1000M ohms min.

2.Mechanical:

MATE AND UNMATE FORCE:
MATE FORCE:4.5kg MAX
UNMATE FORCE:0.5kg MIN
Durability:1500cycles MIN.

3.Environment:

Operating Temperature:-25°to+85°.

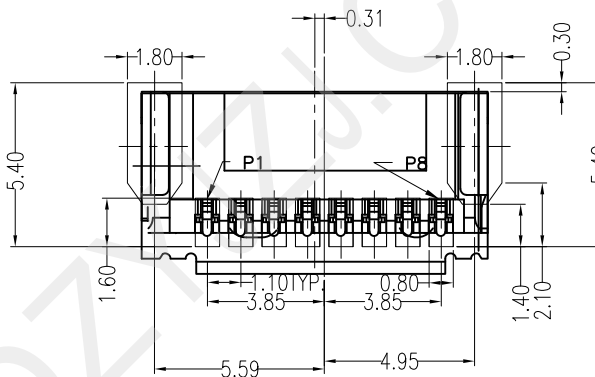
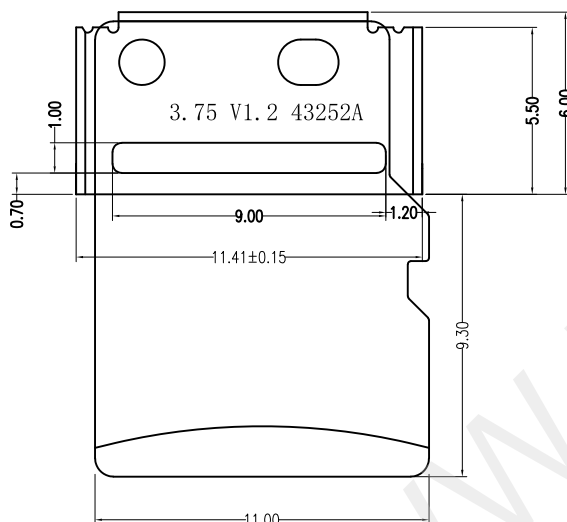
4.FINISH:

TERMINAL: GOLD Plated Over NICKEL
Contact area,TIN ON
SOLDER TAIL AREA& TIN
Plated ALL Over NICKEL.

Shell: SPCC WITH NICKEL&GOLD Plated.

5.COLOR:

HOUSING:BLACK.



RECOMMENDED PCB LAYOUT
TOLERANCES ±0.05



深圳市华宇创精密电子有限公司

TOLERANCE: X.X ±0.30 X.XX ±0.25 X.XXX ±0.15 X' ±2' X.X' ±0.5'	DRAWN BY : 陈一鸣	DATE : 2014-02-23	PART NAME: TF 短体不带检测P 3.75H 有孔
	CHECKED BY: 马跃	DATE : 2014-02-23	PART NO. HVC192-TF08-375
UNIT: mm [inch] SCALE:1:1 SIZE: A4	APPROVED BY: 邱敏	DATE : 2014-02-23	DRAW NO: HVC-2606221611
			SHEET NO. 1 OF 1